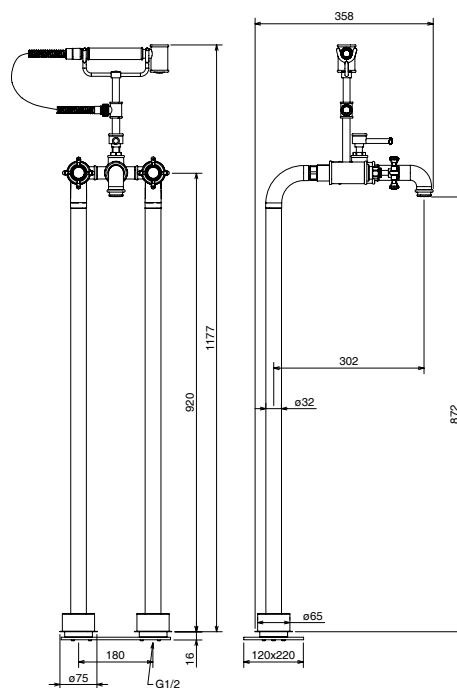


VICTORIA



LA TORRE



25029

Bordo vasca con colonne
Floor mounted bath mixer with shower set

scheda tecnica

technical data

Cromo, Cromo Oro, Oro, Ramato, Bronzo
Chrome, Chrome Gold, Gold, Brushed copper

- | | |
|--|--|
| <ul style="list-style-type: none"> • Rubinetto con comando a maniglia, completamente in ottone • Vitone G3/4 con dischi ceramaci • Flusso ad alta portata • A richiesta vitone tipo meccanico • Interasse attacchi 180 mm • Attacchi impianto idrico G1/2 • Deviatore con posizione doccia/vasca e blocco meccanico • Attacco flessibile doccia G1/2 • Flessibile ottone con gomma atossica • Doccetta monogetto • Corpo, maniglie e doccetta in ottone • Fissaggio tramite piastra incassata a pavimento (predisporre prima di ultimare i lavori, consultare istruzioni) • Garanzia 5 anni | <ul style="list-style-type: none"> • Bath mixer with handle, completely in brass • G3/4 screw with ceramic discs • High flow operation • Traditional mechanism available to request • Water supply connections distance 180 mm • Water supply connections G1/2 • Diverter shower/bath with stop position • Flex hose shower connection G1/2 • Brass flex hose with atossic rubber • Headshower single spray • Body, handles and handshower in brass • Fixing with concealed floor steel plate (see instruction) • 5 years guarantee |
|--|--|

- | | |
|---|--|
| <ul style="list-style-type: none"> • Portata 20 litri/min (3 bar) doccetta • Portata 74 litri/min (3 bar) bocca | <ul style="list-style-type: none"> • Flow rate 20 liters/min (3bar) shower • Flow rate 74 liters/min (3bar) bath |
|---|--|

- | | |
|---|---|
| <ul style="list-style-type: none"> • Riferimenti normative: • EN 200 - EN 232 • EN 248 | <ul style="list-style-type: none"> • Reference standards: • EN 200 - EN 232 • EN 248 |
|---|---|

- | | |
|---|--|
| <ul style="list-style-type: none"> • Disponibile versione con cristallo Swarovsky • Disponibile versione con leva | <ul style="list-style-type: none"> • Available with Swarovski crystal • Available with lever |
|---|--|

LA TORRE srl
28045 Inverio - No
Via Altovergante, 33
ITALY

Tel. +39 0322 255391 r.a.
Fax +39 0322 255442
www.rubinetteria-latorre.it
info@latorre-spa.it

