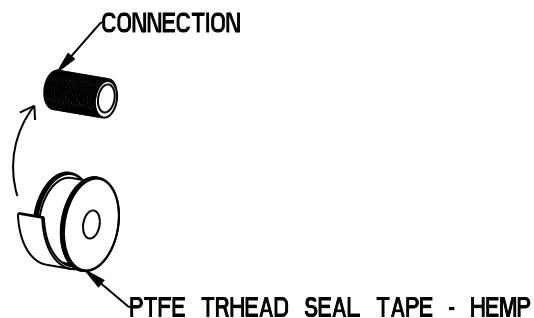
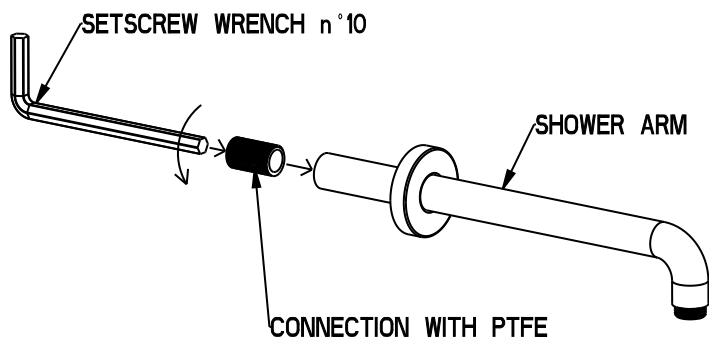


# MALE SHOWER ARM

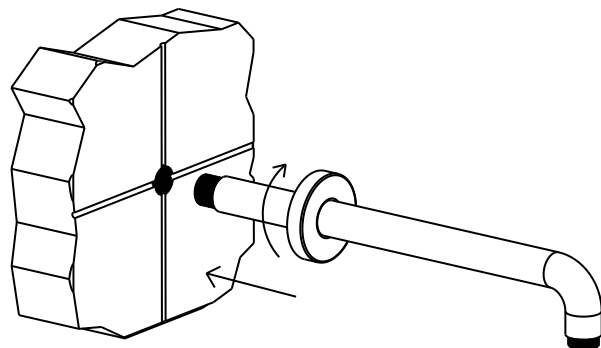
## EXECUTION PHASE N°1



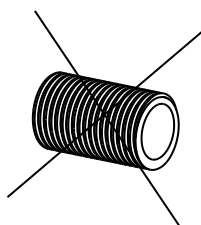
## EXECUTION PHASE N°2



## EXECUTION PHASE N°3

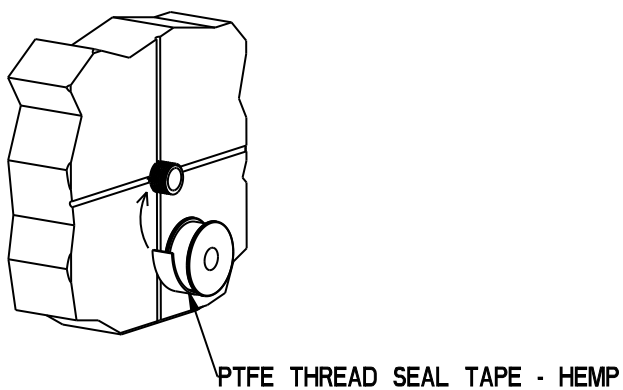


# FEMALE SHOWER ARM



NO USE CONNECTION

## EXECUTION PHASE N°1



## EXECUTION PHASE N°2

